



## CAT5 ANALOG/DIGITAL KVM SWITCH FOR SMALL TO MIDSIZED IT ENVIRONMENTS

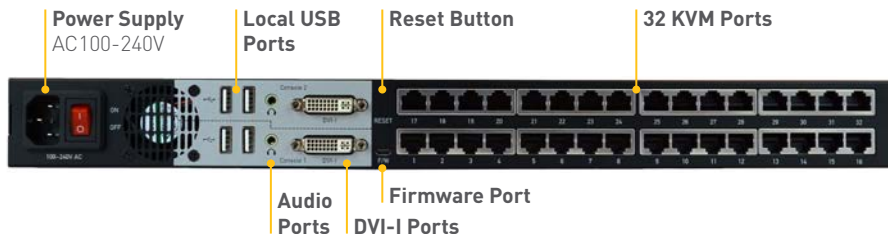
Employing state-of-the-art technologies in a compact device, Raritan's MasterConsole Digital KVM switch (MCD) and 17" LED Console Drawer with integrated KVM switch (MCD-LED) provides reliability, ease of use, and convenience that you need in your data center, lab or server room.

The MCD supports the highest HD video resolution of up to 1920 x 1080 via standard Category 5/6/6e. The digital video interface supports both Analog — VGA and Digital — DVI, HDMI and DisplayPort. Stereo audio is also supported by using VGA combo cables or Raritan's HDMI CIMs.

Building upon Raritan's history of success with KVM switches, the MasterConsole Digital Series is ideal for performing system maintenance, administration, running applications, and troubleshooting.

### MCD AND MCD-LED PORTS AND CONNECTIONS

#### MCD-232



#### MCD-LED17116



#### MCD FEATURES AND BENEFITS

- Single or dual user to control 8, 16 or 32 servers
- Control up to 1024 servers by cascading
- Support VGA/DVI/HDMI/DP digital video interfaces
- High resolution video — 1920 x 1200 @75Hz (Analog) & 1920 x 1080 (Digital)
- Secure password authentication

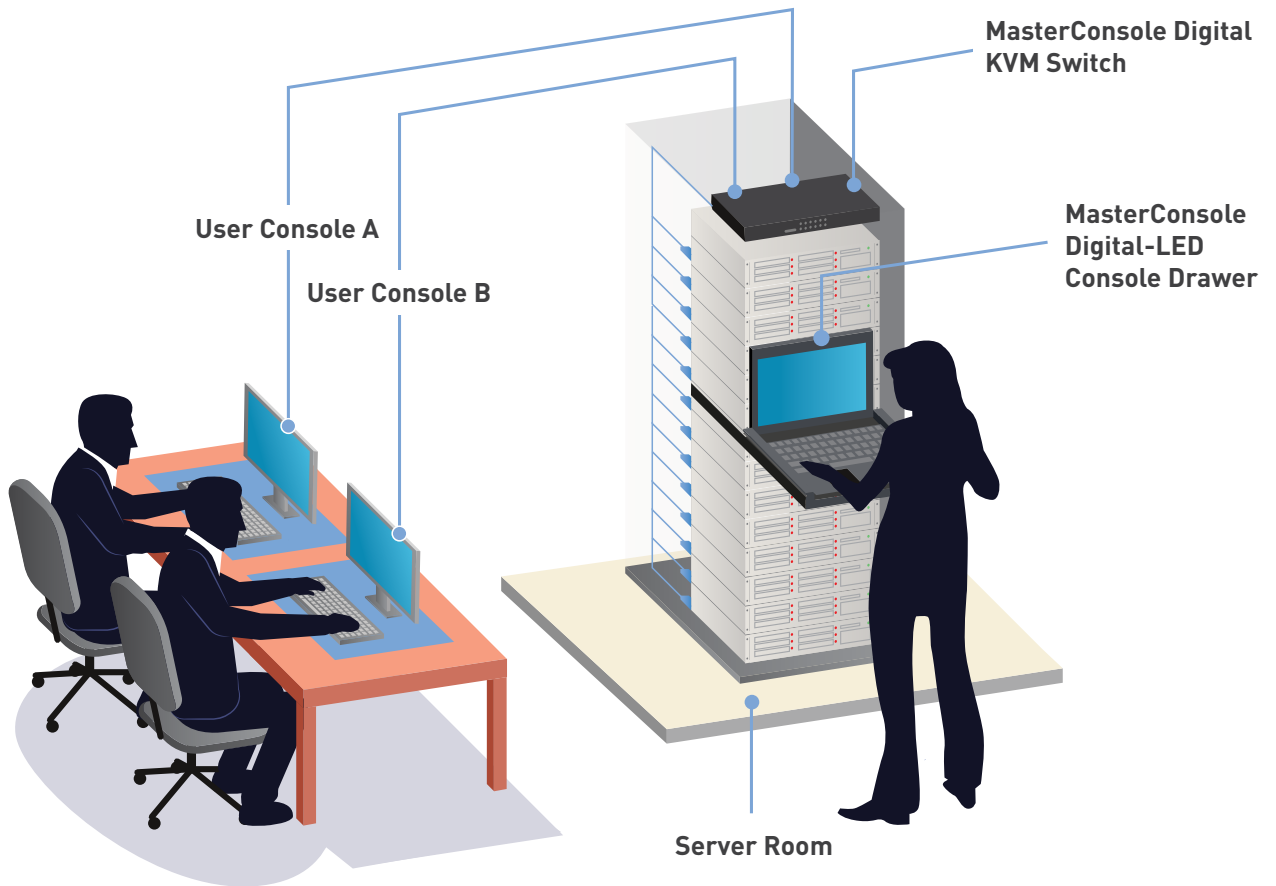
#### MCD-LED FEATURES AND BENEFITS

- 1U, small form factor design
- Single user of control 8 or 16 servers
- Control up to 512 servers by cascading
- Support VGA/DVI/HDMI/DP digital video interfaces
- Widescreen resolution support up to 1920 x 1080

# CONVENIENT KVM ACCESS AT-THE-RACK OR AT YOUR DESK

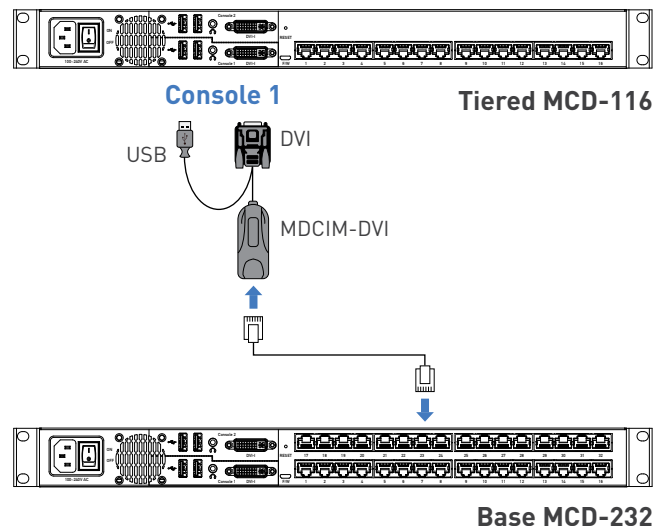
## CONSOLIDATED ACCESS AND CONTROL OF MULTIPLE SERVERS

The MasterConsole Digital Series efficiently consolidates access and control of multiple servers for one or two users. Models are available for KVM connections to 8, 16, or 32 servers.



## CASCADE TO ACCESS AND CONTROL UP TO 1024 COMPUTERS

Using standard Category 5/6/6e unshielded twisted-pair (UTP) cables, MasterConsole Digital Series can be cascaded two levels to access up to 1024 computers.



# EASY OPERATION AND POWERFUL FUNCTIONALITY

## POWERFUL LCD KVM DRAWER FUNCTIONALITY

With a touchpad mouse, simple on-screen user interface and automatic screen power off, the MCD-LED combination LCD Drawer and KVM switch provides complete system management in an intuitive, simple device. Providing an enhanced visual display with 300 nit brightness, and a typical 650:1 contrast ratio, these switches are an investment in high-performing, user-friendly management of your server environment.



## A SINGLE SWITCH FOR DIGITAL AND ANALOG VIDEO

MasterConsole Digital switches and consoles support the latest digital video formats (DVI, HDMI and DisplayPort), as well as servers with analog VGA video. In a single switch! Connect to both new and legacy servers with the MasterConsole Digital CIMs and VGA CIM cables. Stereo audio is available for servers with VGA and HDMI video.

## EASIER AND MORE INTUITIVE OPERATION

Operation is easier than ever with intuitive, user-friendly features, including:

- Own-screen user interfaces and the front panel of the switch allow for simple set-up, control, and management
- Front panel LEDs allow for instant monitoring of server statuses
- On-screen display (OSD) interface enables fast and easy switching
- Computers can be labeled with meaningful names for quick identification and selection
- OSD menus can be operated with keyboard hot keys
- Password security ensures only authorized access to

computers

## INDUSTRY LEADING SCALABILITY AND PERFORMANCE

Designed to provide maximum flexibility and versatility:

- KVM switches can be cascaded to control up to 1024 servers at distances up to 150 feet
- AutoSkip function bypasses inactive channels, while AutoScan function previews servers at variable rates
- "Keep-alive" technology maintains non-stop server operation, even in the event of power loss
- MCD KVM switches are firmware upgradeable and rack mountable

## MASTERCONSOLE DIGITAL KVM SWITCH (MCD) SPECIFICATIONS

Models	Description	Dimension (L x W x H)	Weight	Maximum Input Power Rating/Power Consumption
MCD-108	1 User, 8 Ports, 256 Managed Servers (Cascaded), 1920 x 1200 @75Hz (VGA)/1920 x 1080@60Hz (DVI) Video Resolution, > 300,000 Hours MTBF	440 x 150 x 44mm	1963g	AC100-240V, 1.5A; DC12V/5.42A (65W)
MCD-116	1 User, 16 Ports, 512 Managed Servers (Cascaded), 1920 x 1200 @75Hz (VGA)/1920 x 1080@60Hz (DVI) Video Resolution, > 300,000 Hours MTBF	440 x 150 x 44mm	1993g	AC100-240V, 1.5A; DC12V/5.42A (65W)
MCD-216	2 User, 16 Ports, 512 Managed Servers (Cascaded), 1920 x 1200 @75Hz (VGA)/1920 x 1080@60Hz (DVI) Video Resolution, > 300,000 Hours MTBF	440 x 150 x 44mm	2009g	AC100-240V, 1.5A; DC12V/5.42A (65W)
MCD-232	2 User, 32 Ports, 1,024 Managed Servers (Cascaded), 1920 x 1200 @75Hz (VGA)/1920 x 1080@60Hz (DVI) Video Resolution, > 300,000 Hours MTBF	440 x 150 x 44mm	2276g	AC100-240V, DC12C/5A; DC 12V/3A (36W)

## MASTERCONSOLE DIGITAL CONSOLE DRAWER KVM SWITCH (MCD-LED) SPECIFICATIONS

Models	KVM Switch Description	Dimension (L x W x H)	Weight	Maximum Input Power Rating/Power Consumption
MCD-LED17108	1 User, 8 Ports, 256 Managed Servers (Cascaded), 1920 x 1080@60Hz (DVI) Video Resolution, > 300,000 Hours MTBF	562.71 x 484.7 x 41.5mm	11.15kg	AC100-240V, 1.5A; DC12V/5.42A (65W)
MCD-LED17116	1 User, 16 Ports, 512 Managed Servers (Cascaded), 1920 x 1080@60Hz (DVI) Video Resolution, > 300,000 Hours MTBF	562.71 x 484.7 x 41.5mm	12kg	AC100-240V, 1.5A; DC12V/5.42A (65W)

## MASTERCONSOLE DIGITAL CONSOLE DRAWER LCD (MCD-LED) SPECIFICATIONS

Models	Console Drawer Description	Supported Colors	Brightness	Contrast Ratio
MCD-LED17108	17.3" TFT LCD with LED backlight unit, 0.1989 (H) x 0.1989 (V) mm pixel pitch, 1920x1080@60Hz (Full HD 1080P) max resolution, 15,000 Hours MTBF	262,144	300 Nits	650:1
MCD-LED17116	17.3" TFT LCD with LED backlight unit, 0.1989 (H) x 0.1989 (V) mm pixel pitch, 1920x1080@60Hz (Full HD 1080P) max resolution, 15,000 Hours MTBF	262,144	300 Nits	650:1

## COMPUTER INTERFACE MODULES (CIMS)

Models	Description
MDCIM-DVI	CIM for DVI video output + USB for keyboard and mouse
MDCIM-HDMI	CIM for HDMI video output with HDMI Audio + USB for keyboard and mouse
MDCIM-DP	CIM for DP video output + USB for keyboard and mouse

## MDUTP VGA KVM COMBO CABLES

Models	Description
MDUTP20-VGA	2 meters cable, VGA + USB + Audio
MDUTP40-VGA	4 meters cable, VGA + USB + Audio
MDUTP60-VGA	6 meters cable, VGA + USB + Audio
MDUTP150-VGA	15 meters cable, VGA + USB + Audio

Visit [www.raritan.com/ap/mcd](http://www.raritan.com/ap/mcd) to learn more about the MasterConsole Digital Series.

©2017 Raritan Inc. All rights reserved. Raritan® is a registered trademark of Raritan Inc. or its wholly-owned subsidiaries. All others are registered trademarks or trademarks of their respective owners. Raritan began developing KVM switches for IT professionals to manage servers remotely in 1985. Today, as a brand of Legrand, we are a leading provider of intelligent rack PDUs. Our solutions increase the reliability and intelligence of data centers in 9 of the top 10 Fortune 500 technology companies. Learn more at [Raritan.com](http://Raritan.com) V1235

**Raritan**  
A brand of  Legrand